

Parts Information

Commercial Microwave Oven

Important notes:

This is an uncontrolled document.

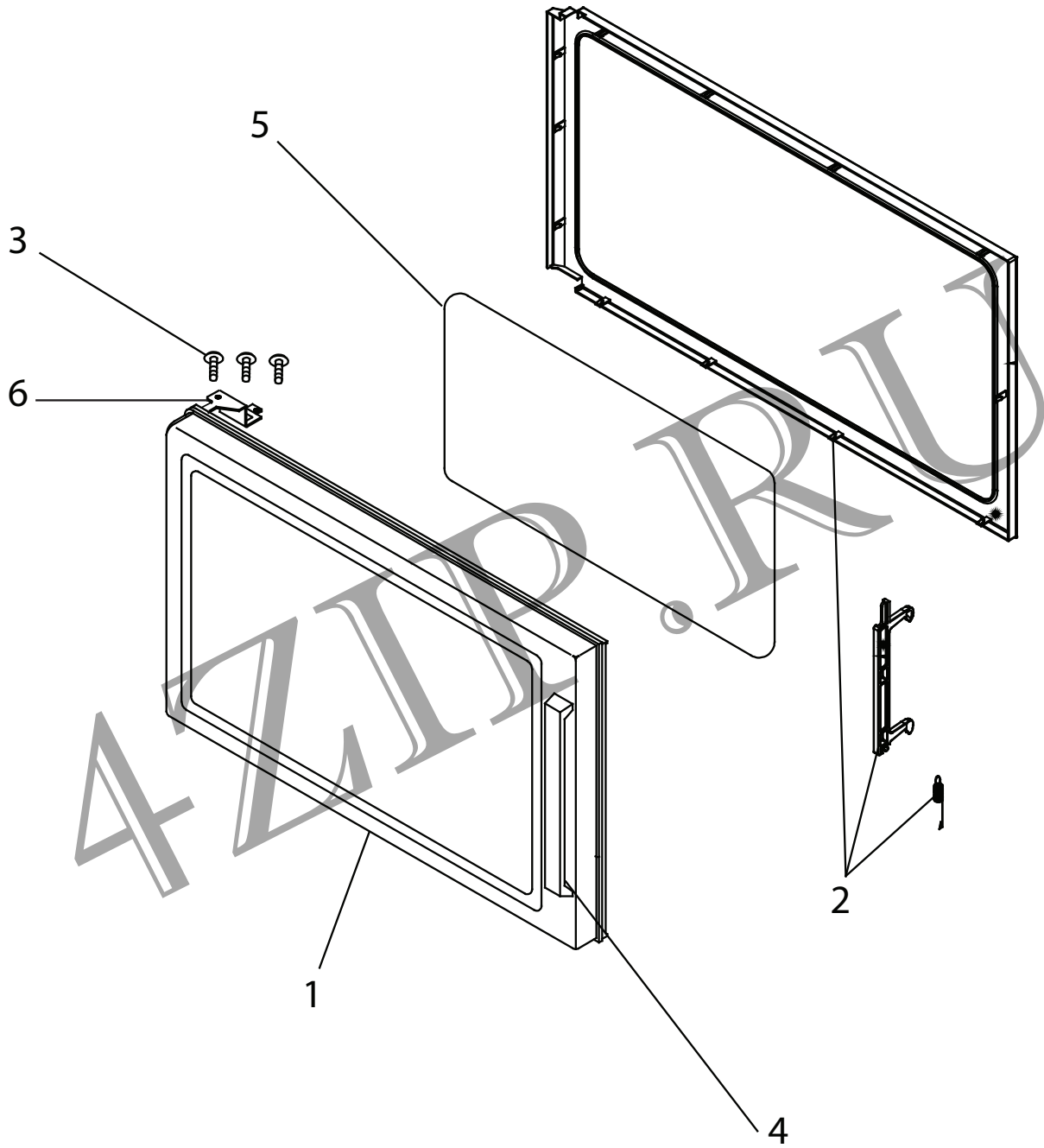
There is no record of its distribution and no corrections will be provided.



Models and Manufacturing numbers covered:

RCS511DS P2001106M

DOOR

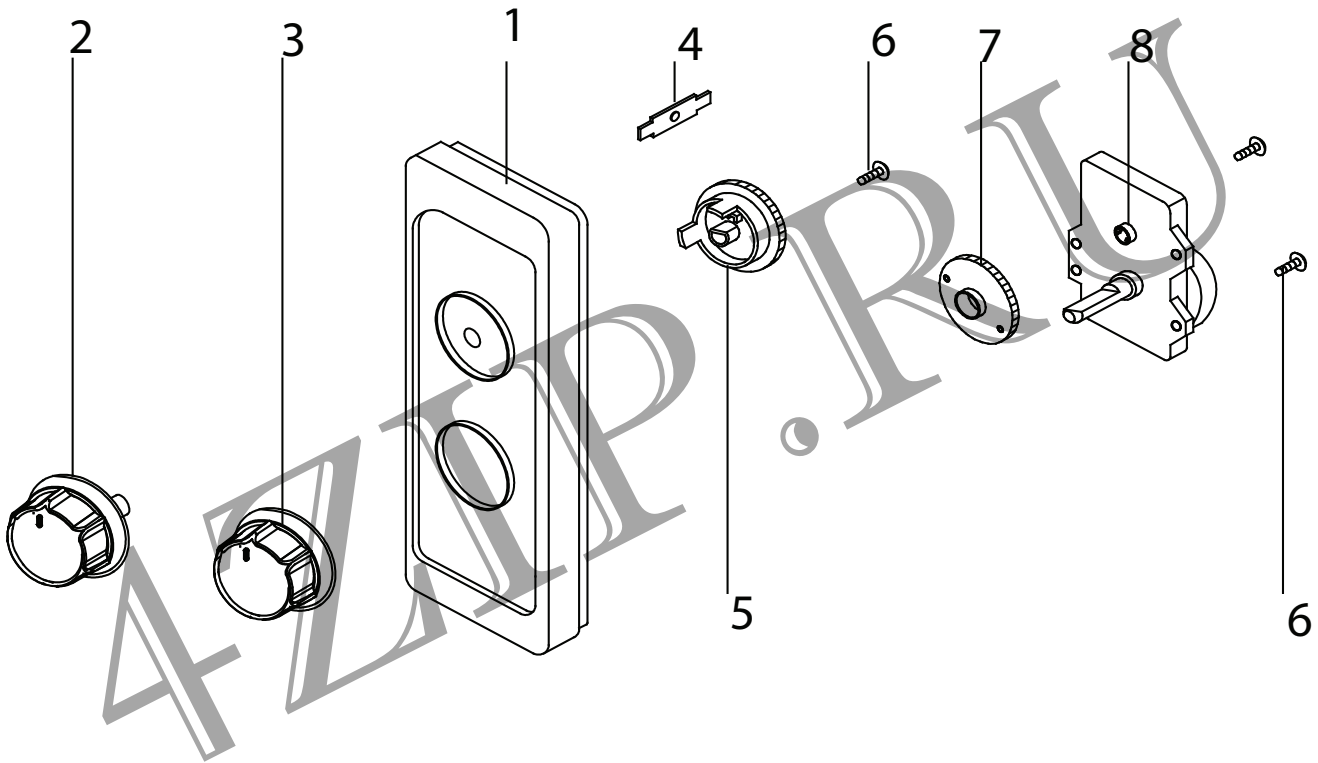


DOOR

| Reference | Part Number | Description | Quantity |
|-----------|-------------|-------------------------------|----------|
| 1 | 56002048 | DOOR ASSY | 1 |
| 2 | 12002624 | KIT, SPRING/LATCH/CHOKE COVER | 1 |
| 3 | 56001217 | SCREW | 3 |
| 4 | 14100039 | KIT, DOOR HANDLE | 1 |
| 5 | 56001406 | WINDOW, INNER | 1 |
| 6 | 56002029 | HINGE, UPPER | 1 |

4ZIP.RU

DIAL CONTROL

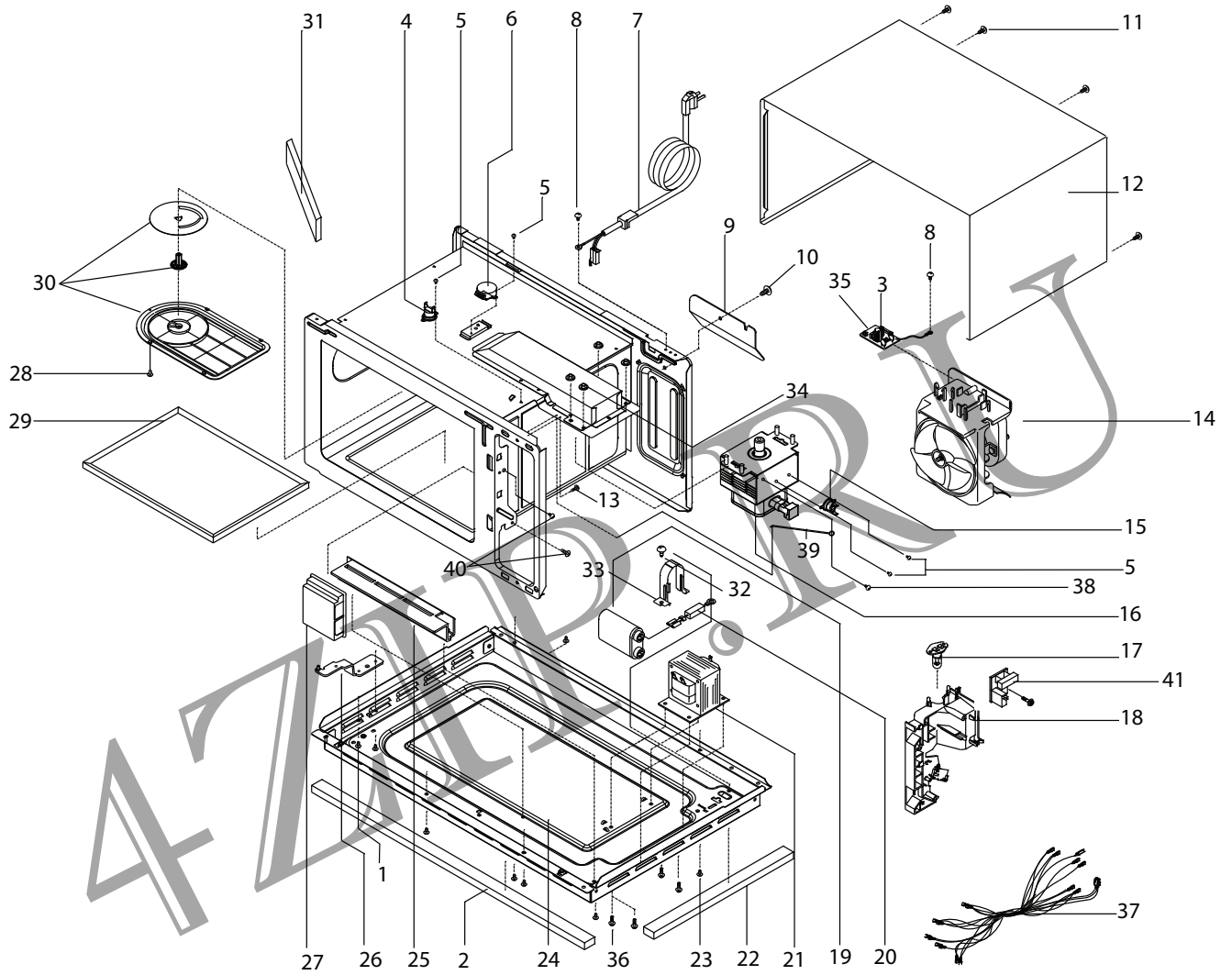


DIAL CONTROL

| Reference | Part Number | Description | Quantity |
|-----------|-------------|--------------------|----------|
| 1 | 56002060 | CONTROL PANEL ASSY | 1 |
| 2 | 56001416 | KNOB, VPC | 1 |
| 3 | 56001417 | KNOB, TIMER | 1 |
| 4 | 56001419 | SPRING, FLAT | 1 |
| 5 | 56001420 | COUPLER, VPC KNOB | 1 |
| 6 | 56001210 | SCREW | 3 |
| 7 | 56001421 | COUPLER, TIMER | 1 |
| 8 | 56001458 | TIMER, DIAL | 1 |

4ZIP.RU

OVEN CAVITY



OVEN CAVITY

| Reference | Part Number | Description | Quantity |
|-----------|-------------|---------------------------------|----------|
| 1 | 56001217 | SCREW | 1 |
| 2 | R0000413 | GASKET, BASEPAN | 1 |
| 3 | 56001474 | FUSE, 15 A | 1 |
| 4 | 56001426 | THERMAL CUTOUT, CAVITY | 1 |
| 5 | 56001230 | SCREW | 3 |
| 6 | 56001460 | MOTOR, ANTENNA | 1 |
| 7 | 56001476 | POWER CORD | 1 |
| 8 | 56001461 | SCREW | 1 |
| 9 | 56001428 | AIR DEFLECTOR- REAR | 1 |
| 10 | 56001210 | SCREW | 1 |
| 11 | 56002057 | SCREW | 6 |
| 12 | 56002040 | WRAPPER | 1 |
| 13 | 56001210 | SCREW | 1 |
| 14 | 56002037 | BLOWER MOTOR ASSY | 1 |
| 15 | 56001432 | THERMAL CUTOUT, MAG | 1 |
| 16 | 56002014 | MAGNETRON | 1 |
| 17 | 56002007 | LAMP/ SOCKET ASSY | 1 |
| 18 | 56002052 | SWITCH, INTERLOCK ASSY | 1 |
| 19 | 56002042 | CAPACITOR- 1,15 | 1 |
| 20 | 56001436 | DIODE | 1 |
| 21 | 56002027 | TRANSFORMER HV | 1 |
| 22 | R0000413 | GASKET, BASEPAN | 1 |
| 23 | 56001151 | SCREW | 4 |
| 24 | 56002023 | BASEPAN ASSY | 1 |
| 25 | 56002059 | PROTECTOR, WIRE | 1 |
| 26 | 56002028 | HINGE, LOWER | 1 |
| 27 | 56001440 | AIR GUIDE | 1 |
| 28 | 56001450 | RIVET ASSY | 1 |
| 29 | 56002041 | TRAY ASSY | 1 |
| 30 | 12002625 | KIT, COVER/STIRRER BLADE/RIVETS | 1 |
| 31 | 56001445 | GASKET | 1 |
| 32 | 56001153 | SCREW | 1 |
| 33 | 56002043 | BRACKET, CAPACITOR | 1 |
| 34 | 56001051 | NUT, HINGE | 4 |
| 35 | 56002030 | FUSE BLOCK / FILTER ASSY | 1 |
| 36 | 56001222 | SCREW | 1 |
| 37 | 56001469 | HARNESS, MAIN | 1 |
| 38 | 56001151 | SCREW | 1 |
| 39 | 56001447 | SUPPORT | 1 |
| 40 | 56001210 | SCREW | 2 |
| 41 | 56001480 | RELAY ASSY | 1 |

WIRING DIAGRAM

